
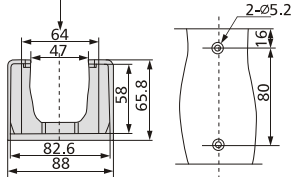

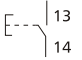
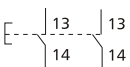


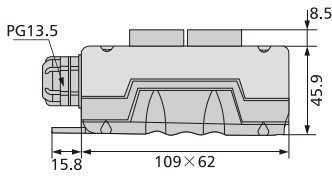

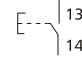
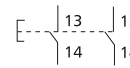


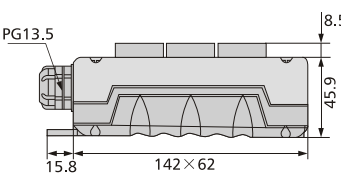

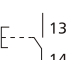
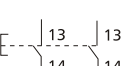


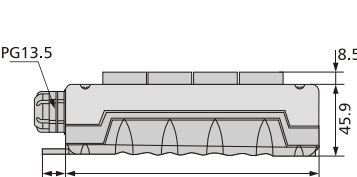

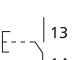
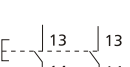


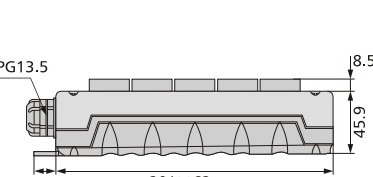

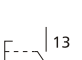
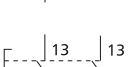


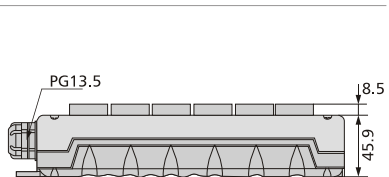


# LAY5 Control Switch Box Series

Control switch	Description	Contact	Symbol	Type	Contour
	Protecting cover			LAY5-EPC	
LAY5-EPC					
	2 holes spring return push button 1 flush black 1 flush white Ip54	N/O 2N/O+2N/O	 	 LAY5-EPB2  LAY5-EPB22	
LAY5-EPB2					
	3 holes spring return push button 1 flush white 1 flush black 1 flush white Ip54	N/O 3N/O+3N/O	 	 LAY5-EPB3  LAY5-EPB32	
LAY5-EPB3					
	4 holes spring return push buttons a flush black a flush white a flush black a flush white Ip54	N/O 4N/O+4N/O	 	 LAY5-EPB4  LAY5-EPB42	
LAY5-EPB4					
	5 holes spring return push buttons a flush black a flush white a flush black a flush white a flush white Ip54	N/O 5N/O+5N/O	 	 LAY5-EPB5  LAY5-EPB52	
LAY5-EPB5					
	5 holes spring return push buttons a flush black a flush white a flush black a flush white a flush white Ip54	N/O 6N/O+6N/O	 	 LAY5-EPB6  LAY5-EPB62	
LAY5-EPB6					